

## GS-20 Lid Stay (With Catch)

Top opening

Opening Direction	Description
<p>Top-opening</p>	With Catch

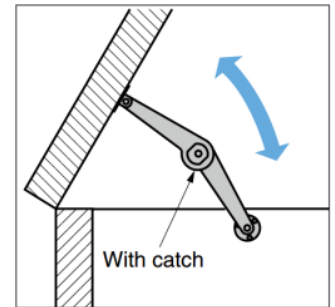


### Features

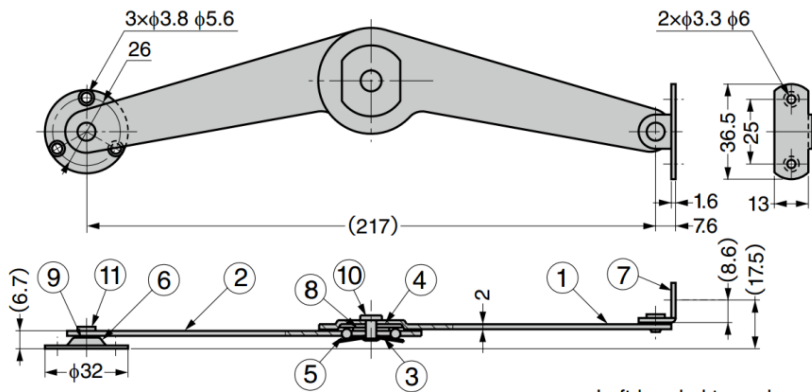
- With catch

### Notes

- Catch mechanism may not work, depending on door weight
- When installing this stay to sheet metal, be sure to perform thread relief processing (chamfering) on the mounting surface side (cabinet side). In this way, screw head will not protrude when the stay is fixed



Right-handed Illustration



Left-handed type shown.

No.	Part Name	Material	Finish
①	Body A	Steel (SPCC)	Chrome
②	Body B		
③	Spring A	Steel (SK)	-
④	Spring B		
⑤	Ball	Steel (SWRCH)	-
⑥	Bracket	Steel (SPCC)	Chrome
⑦	Bracket		Nickel
⑧	Washer	PA	-
⑩	Centre Shaft	Steel (SWRM)	Chrome
⑪	Shaft	Brass	Tin Cobalt Plating

Part No.	Type	Tension Force (per pierce)	
GS-20R	Right-handed	410 N	41.8 kg
GS-20L	Left-handed		